

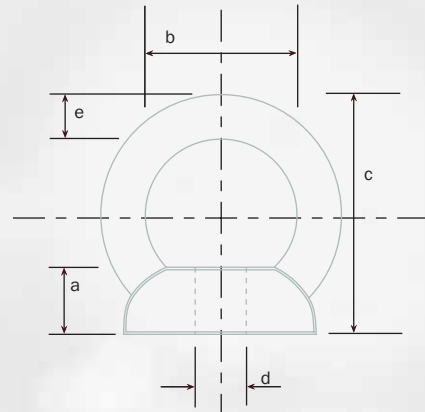
resicon ring nut



Description :

Forged high strength ring nuts for use with resicon anchor studs and threaded bars to provide eye type anchorages for temporary or permanent works and applications requiring removable fixing points. Not designed for use in lifting applications or with fall arrest systems, if in any doubt contact our technical department for guidance.

Material : Grade 5.8 carbon steel : Grade A4-316 stainless steel
 Finish : Gr 5.8 bright zinc plated and yellow passivated : A4-316 self colour
 Tensile strength (nom) : Gr 5.8 - 500N/mm² : Gr A4-316 - 800N/mm²



ordering information

product code	description	size : mm
ANC433	resicon ring nut Gr 5.8 zyp	M10
ANC434	resicon ring nut Gr 5.8 zyp	M12
ANC435	resicon ring nut Gr 5.8 zyp	M16
ANC436	resicon ring nut Gr 5.8 zyp	M20
ANC437	resicon ring nut Gr A4-316	M10
ANC438	resicon ring nut Gr A4-316	M12
ANC439	resicon ring nut Gr A4-316	M16
ANC440	resicon ring nut Gr A4-316	M20

ring nut data

Thread diameter : mm (d)	Ringnut height : mm (c)	Internal diameter : mm (b)	Base height : mm (a)	Ring thickness : mm (e)
M10	44	25	10	10
M12	52	30	11	12
M16	60	35	13	14
M20	70	40	16	16

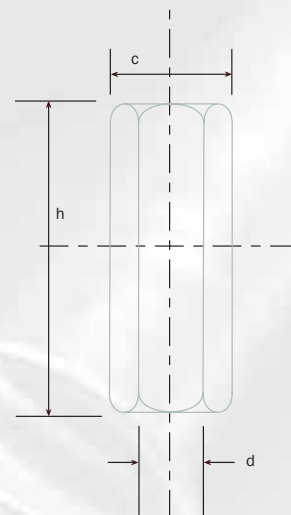
resicon socket connector



Description :

Hexagon socket connectors for use with resicon anchor studs and threaded bars to convert male threaded studs to female connection points allowing provision of anchor extensions and stand off applications and assemblies.

Material : Grade 5.8 carbon steel : Grade A4-316 stainless steel
 Finish : Gr 5.8 bright zinc plated and yellow passivated : A4-316 self colour
 Tensile strength (nom) : Gr 5.8 - 500N/mm² : Gr A4-316 - 800N/mm²



ordering information

product code	description	size : mm
ANC441	resicon hex socket connector Gr 4.6 bzp	M10
ANC442	resicon hex socket connector Gr 4.6 bzp	M12
ANC443	resicon hex socket connector Gr 4.6 bzp	M16
ANC444	resicon hex socket connector Gr 4.6 bzp	M20
ANC445	resicon hex socket connector Gr A4-316	M10
ANC446	resicon hex socket connector Gr A4-316	M12
ANC447	resicon hex socket connector Gr A4-316	M16
ANC448	resicon hex socket connector Gr A4-316	M20

Socket data

Thread diameter : mm (d)	Width across flats : mm (c)	Height : mm (h)
M10	17	30
M12	19	36
M16	24	48
M20	30	60